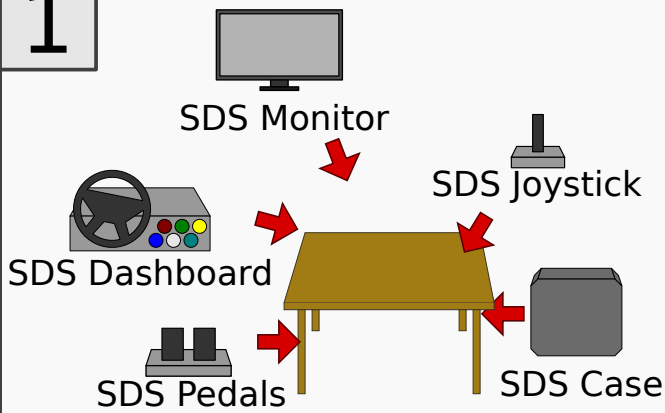


Sensory Driving Simulator (SDS)

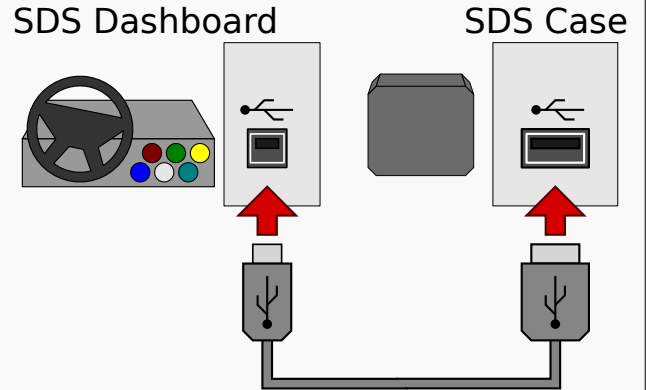
Quick Start Guide

1



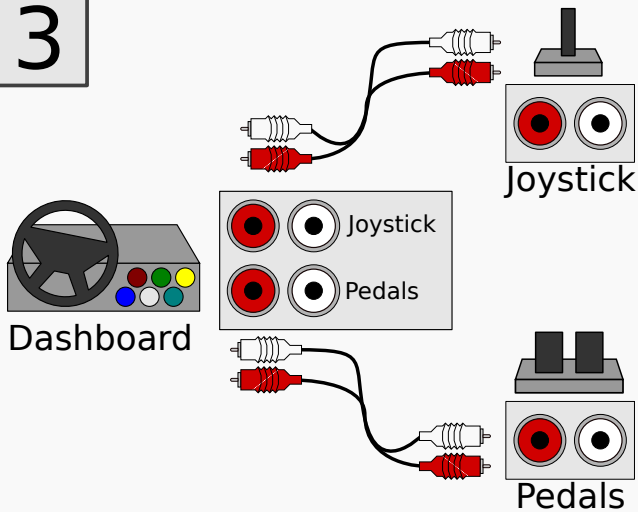
Unpack everything around table

2



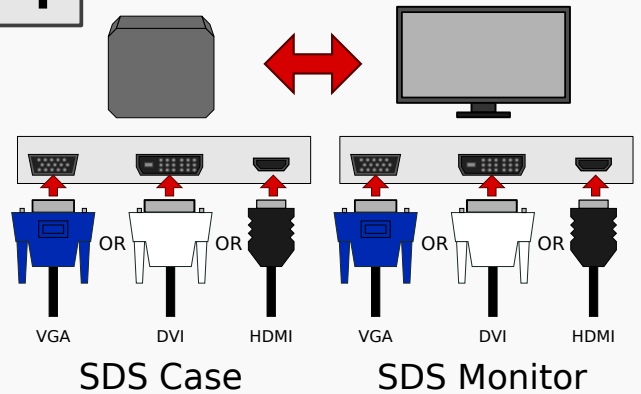
Connect Case to Dashboard via USB

3



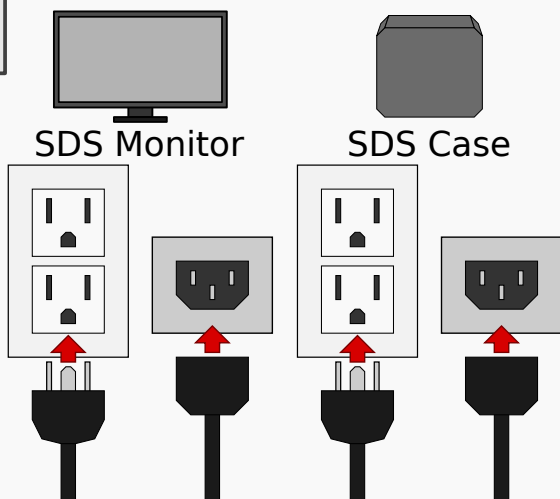
Connect Dash to Joystick and Pedals

4



Connect Monitor to Case

5



Connect Monitor and Case to Power

6

