

Steering Mounting Bracket
for:
Sensory Driving Simulator

Drawings are not to scale.

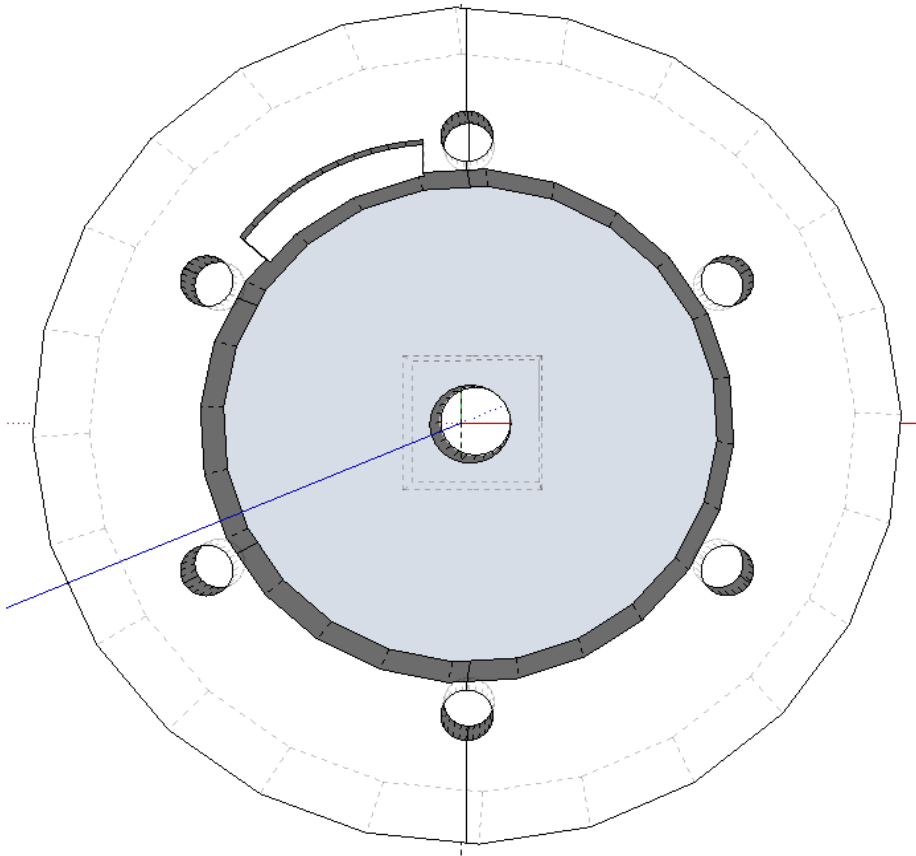


Figure 1: Top down view

Outer Diameter: 99mm

Inner Diameter: 61mm - 18mm deep

Center Hole Diameter: 10mm and goes through the piece

6 holes are centered 34.5mm from center and 60 degrees apart → fit 5mm diameter screws (1)

6 holes are 10mm deep

Notch extends to 35mm from center and is 5mm deep and 21mm across

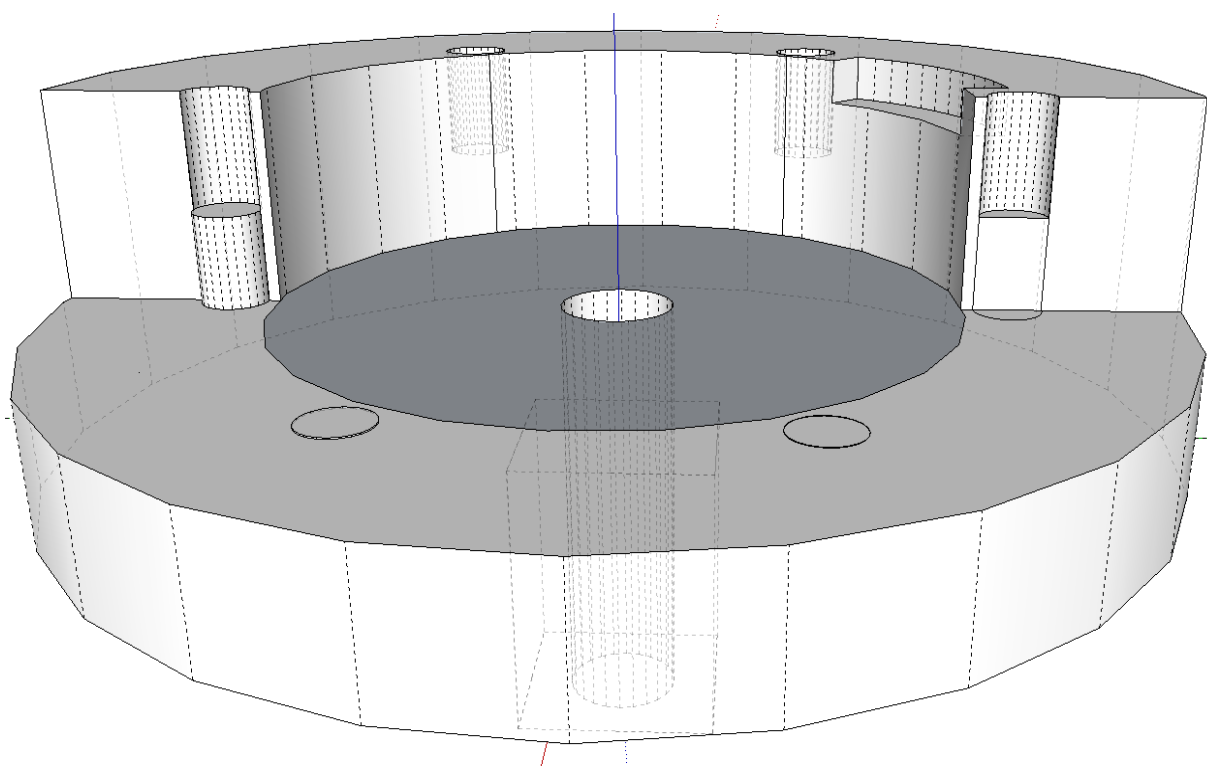


Figure 2: Top-side view

This shows a cross section of the mounting holes and their depths.

Mounting holes are 10mm deep

Large inner circle is 18mm deep

The thickness of the outer portion is 30mm

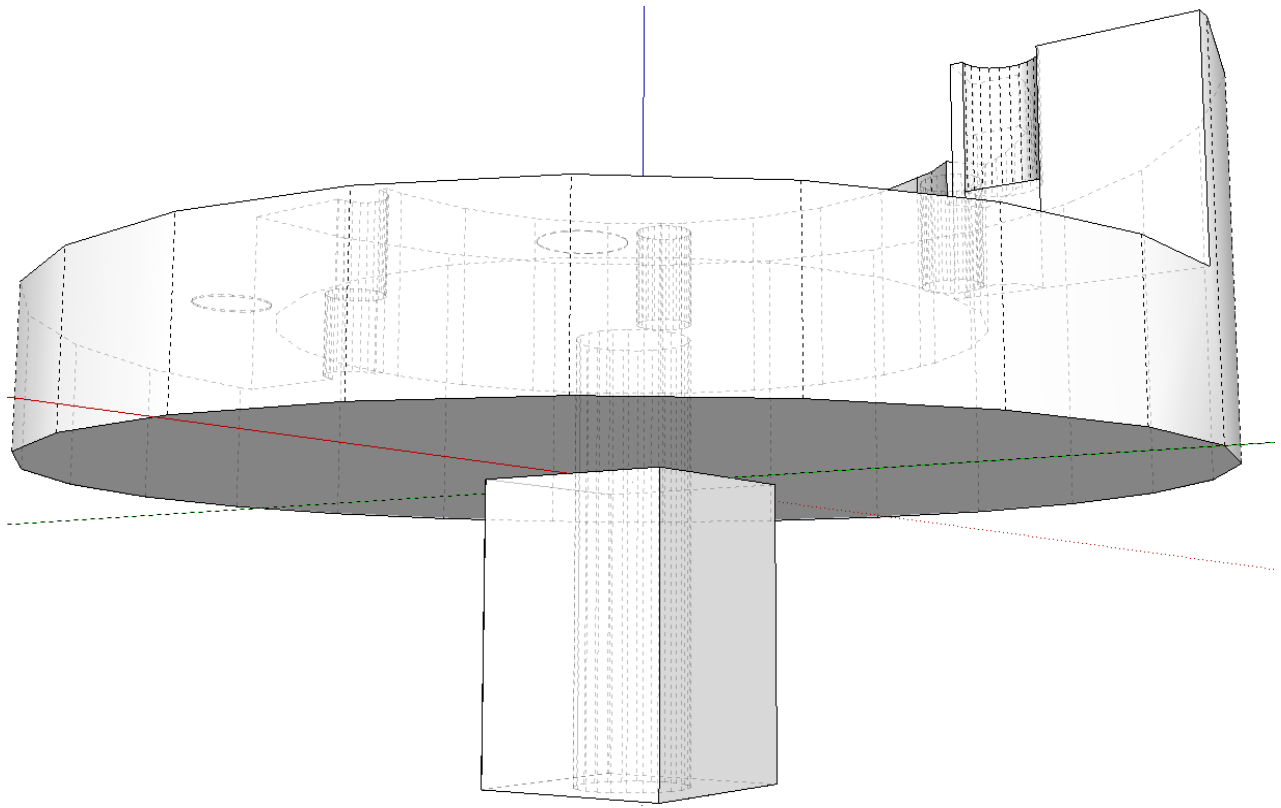


Figure 3: Bottom-side view

The height of the protrusion is 25mm
The length and width form a square at 17.9mm x 17.9mm
Total height from top face to bottom face is 55mm

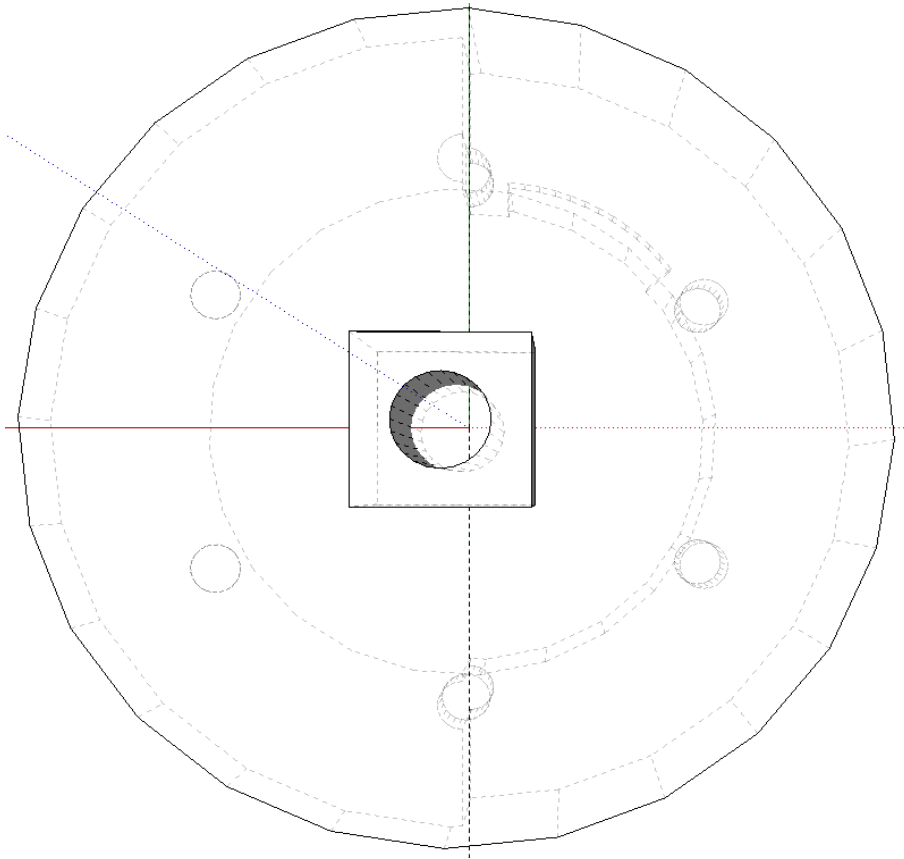


Figure 4: Bottom view

Protrusion is 17.9mm x 17.9mm

Center hole is 10mm in diameter and goes through the piece